

# TECHNICAL BULLETIN



**MODEL/DERIVATIVE:**  
Discovery Series II (LT)  
Defender (LD)

**Bulletin N°:** 0009  
**CDS. ref:** L8711bu  
**Issue:** 1  
**Date:** 27.02.02

**AFFECTED RANGE:**

All Td5 derivatives up to VIN: Discovery Series II 2A 736340  
Defender 2A 622424

**PROBLEM:**

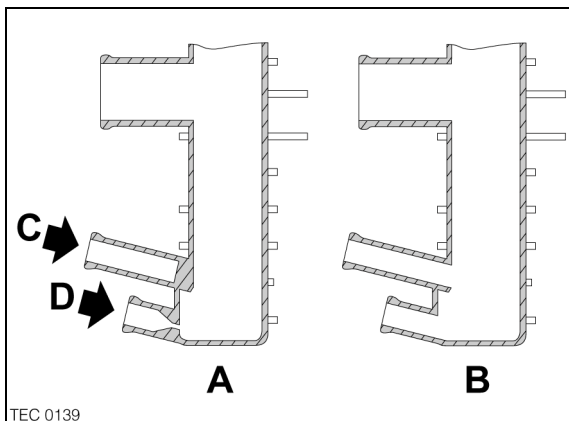
**RADIATOR - SPECIFICATION CHANGE - TO IMPROVE DURABILITY**

The coolant passageways in the radiator have been modified and a restrictor was introduced into the fuel cooler to improve the durability of the radiator.

The modified radiator can be fitted as a replacement on all derivatives up to the above VIN numbers, and is fitted as standard from the above VIN numbers. The restrictor, which is supplied with the radiator, must be fitted into the fuel cooler. Illustrations 1 and 2 show a cut away view of the old and new specification radiators.

**NOTE:** *The feed and return pipes, ('C' and 'D' in illustrations 1 and 2), to the lower section of the radiator have been modified. Do not attempt to open these coolant passageways into the radiator.*

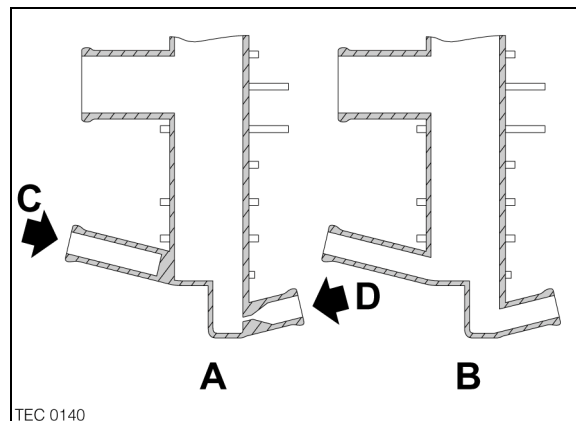
1



TEC 0139

**Discovery Series II**  
A = The new specification radiator  
B = The old specification radiator

2



TEC 0140

**Defender**  
A = The new specification radiator  
B = The old specification radiator

**CAUSE:**  
**Not applicable**

**ACTION:**

When replacing the radiator on vehicles up to VIN 2A 736340 (Discovery Series II) and 2A 622424 (Defender) follow the procedure below.

**Discovery Series II**

- Refer to Workshop Manual, part number VDR100090 (5<sup>th</sup> edition), Cooling System - Td5, Radiator, repair number 26.40.01.

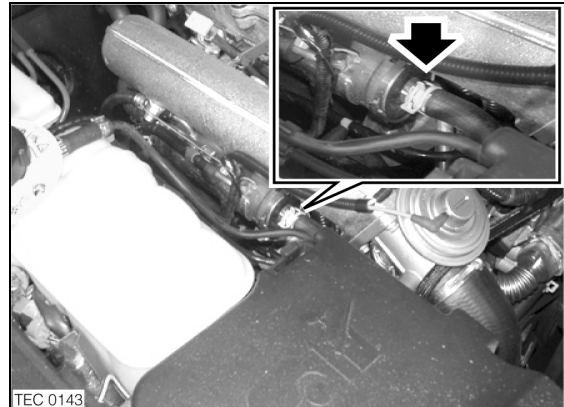
**Defender**

- Refer to Workshop Manual, part number LRL0410 (2<sup>nd</sup> edition), Cooling System, Radiator, repair number 26.40.01.

Carry out the procedure below before refilling the cooling system.

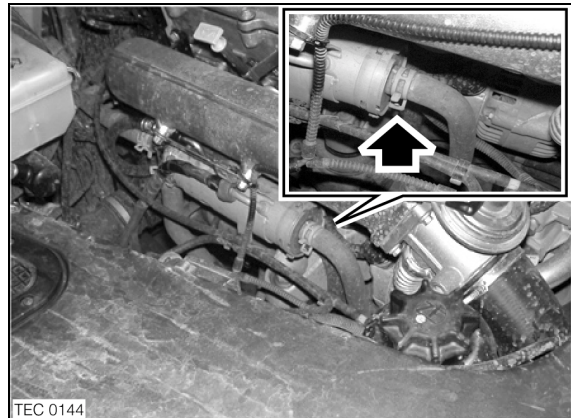
1. Position a container beneath the fuel cooler.
2. Release the clip and disconnect the coolant feed hose from fuel cooler, (inset in illustrations 3 and 4).
3. Position the coolant restrictor within the fuel cooler, (arrowed in illustration 5).
4. Connect the coolant feed hose and secure with the clip.
5. Remove the container.
6. Refill and bleed the cooling system.
7. Check the cooling system for leaks.

3



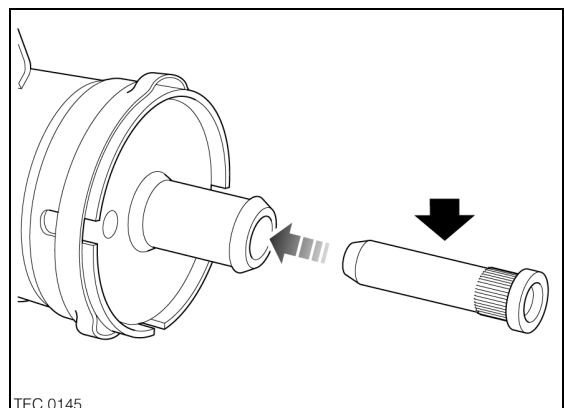
**Discovery Series II cooling system**

4



**Defender cooling system**

5



**NOTE:** *The restrictor has already been fitted from VIN 2A 736340 (Discovery Series II) and 2A 622424 (Defender).*

*PARTS INFORMATION:*

<b>Part number</b>	<b>Description</b>	<b>Model</b>	<b>Quantity</b>
<b>PDK000080</b>	<b>Radiator assembly</b>	<b>Discovery Series II</b>	<b>1</b>
<b>PDK000100</b>	<b>Radiator assembly</b>	<b>Defender</b>	<b>1</b>

---

*WARRANTY CLAIMS:*

**Normal warranty policy and procedures apply.**